

Cubro 10 Gpbs Twinax Tap

(Tap for aktive/passive SFP Cable)

Cubro 10 Gbps Twinax TAP



With the growing market of the active and passive twinax cable Cubro offers now this pricewise interesting solution to monitor this links.

The CUBRO Twinax Converter Tap converts the traffic from an SFP active/passive cable, 10 Gbps Gigabit Ethernet link to an optical output. This application is not fully passive. If needed we offer an addition battery option.

For all these cases CUBRO provides a cost-effective, flexible and small device which converts the incoming traffic to an additional output port.

The path from input to the output ports is fault-transparent. If the link on input port is going down, the output ports follow with a short delay. The path from input to the output ports is layer 1 to 7 transparent. Any error on the input port will be copied to all output ports.

Functions

Port Multiplication
One SFP input Port will be converted to one optical Port.

Multiple output versions supported
SM, MM

Fault Propagation
If the link on the input port is going down the output ports will follow with a short delay.

LED Indicators
LEDs on the front panel indicate power and signal status.

Different Power Versions
12V DC Supply with or without redundancy & battery option
power dissipation : 7.5W

Propagation Delay (In to Out)
0.7 ns only

MTBF
198185 hours

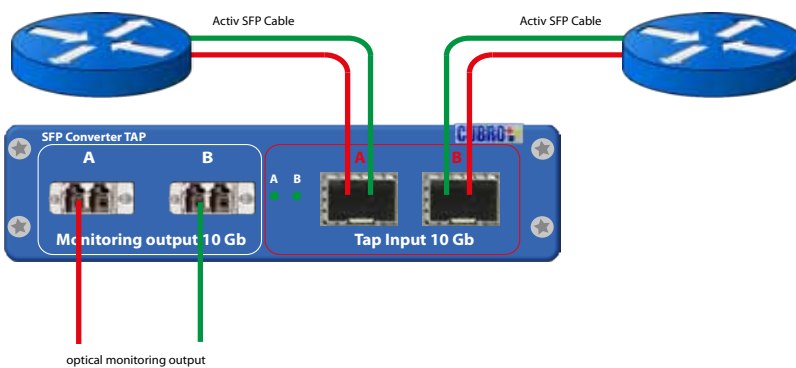
Operating Temperature
0 to 55°C

Operating Humidity
80% maximum relative humidity

Physical Dimensions (H x W x D)
3 x 11,2 x 17 cm
1,8 x 4,4 x 6,7 in

Rugged Aluminium Housing
Stable Aluminium Housing with precise connector labelling on front panel.

19" Rack mountkit also available



19" Mounting frame with two converter Taps and the Battery Powersupply in the middle

